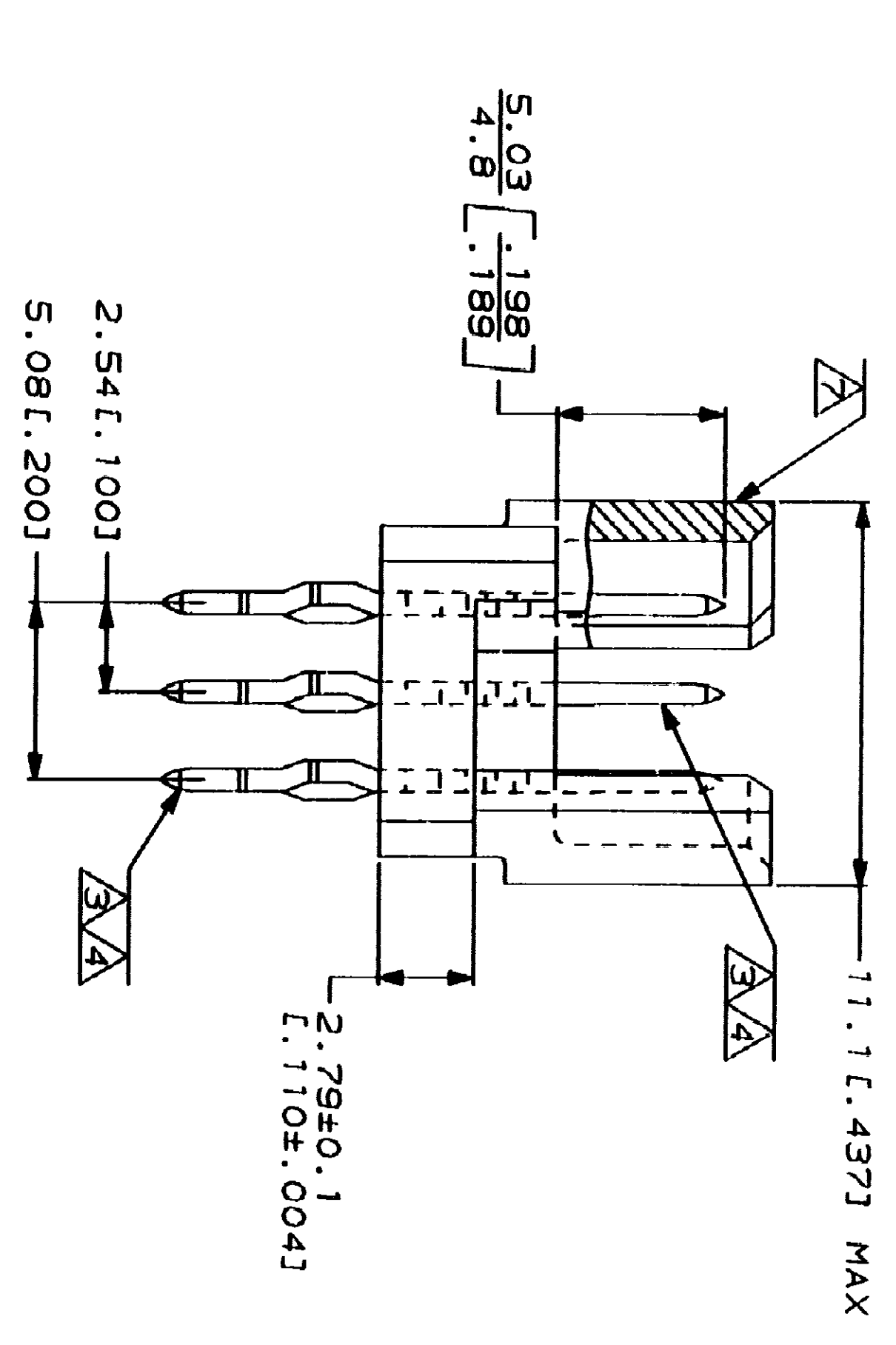
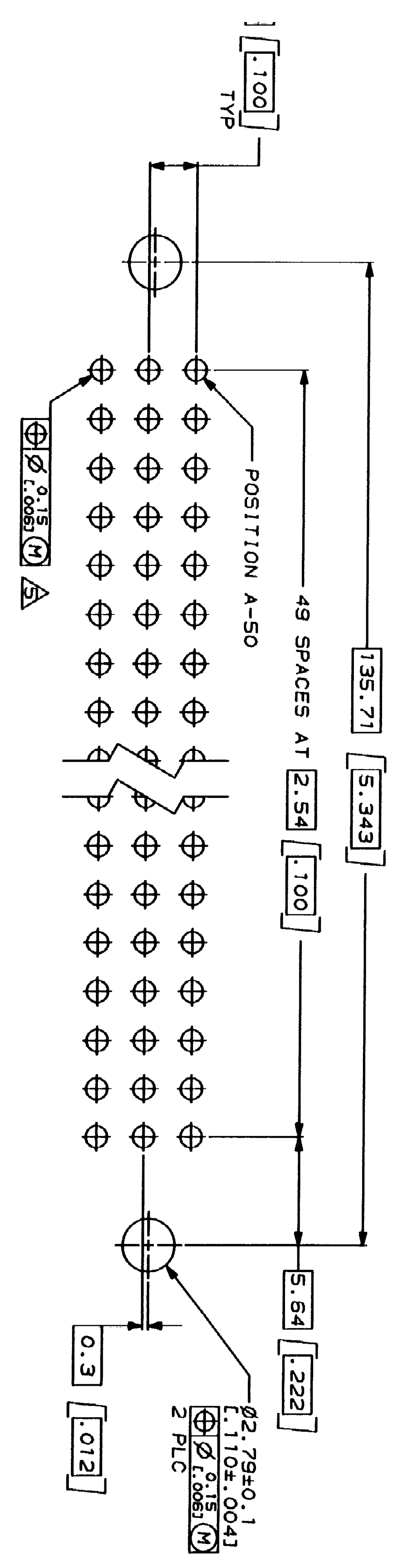
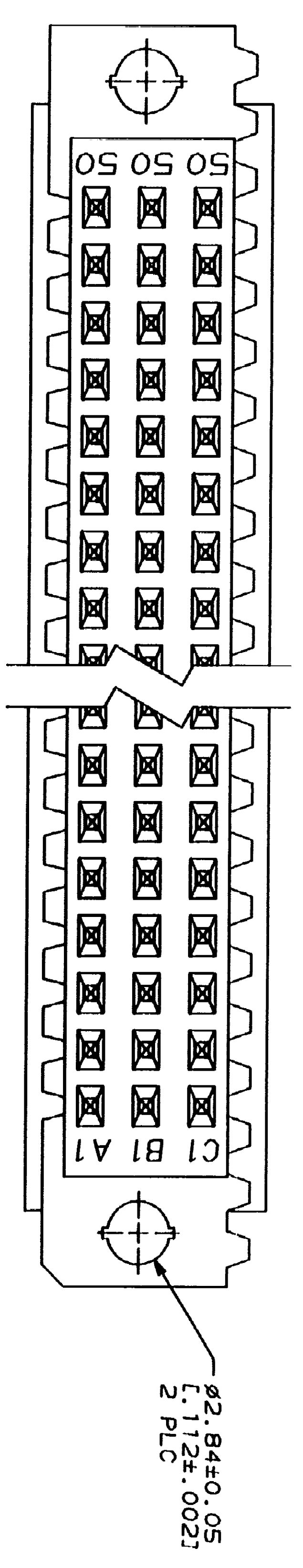
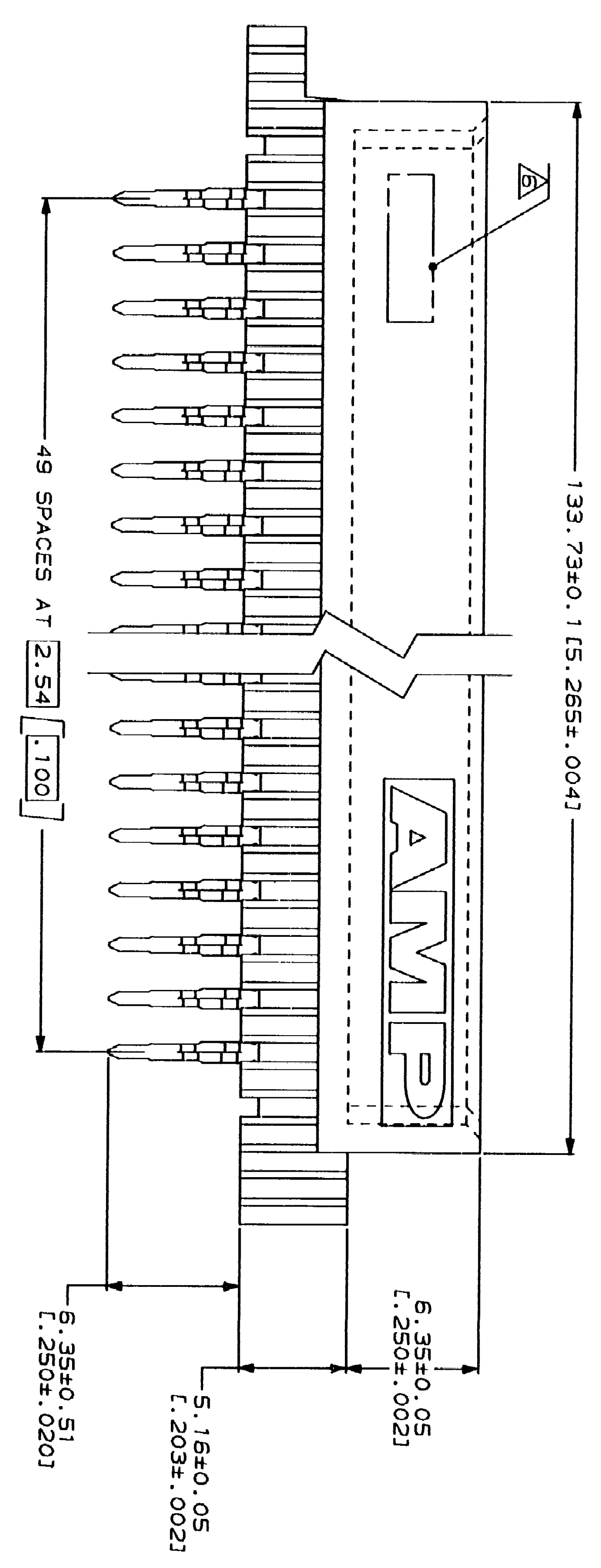
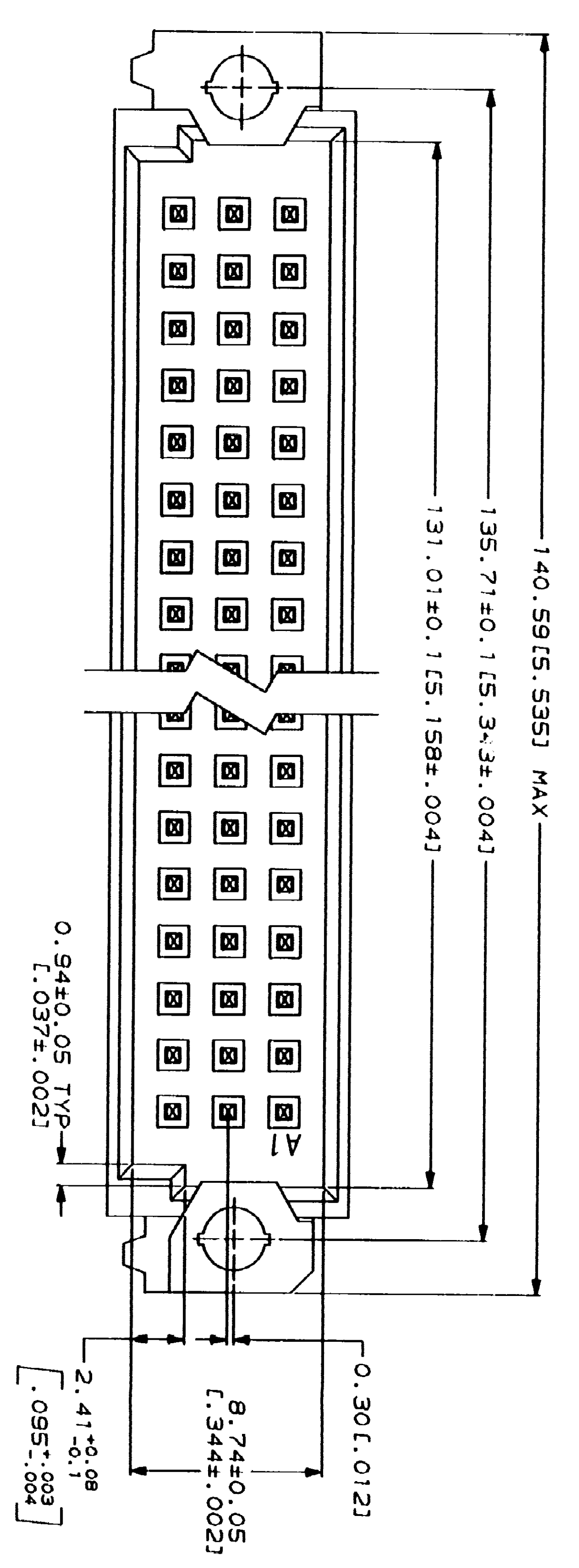


| DATE | APPD |
|----------|------|
| 11/14/91 | LSB |
| 12/20/91 | LSB |
| 6/28/93 | LSB |
| 3/26/94 | LSB |

| NO. | RELEASED FOR PUBLICATION | DATE |
|-------|--------------------------|------|
| 924-9 | | |
| 924-5 | | |

| REV | DATE | DESCRIPTION |
|-----|------|--------------------|
| 0 | | DRAWN |
| B | | ECN A05586; A05640 |
| C | | ECN A05876 |
| D | | ECN A05871 |
| E | | ECN A06256 |
| F | | EC 0010-0613-93 |
| G | | EC 0010-0151-94 |
| H | | EC 0010-0436-94 |



- △ HOUSING MATERIAL: GLASS-FILLED POLYESTER. COLOR: GRAY.
- △ POST MATERIAL: PHOSPHOR BRONZE.
- △ POST FINISH: DIN 41612 CLASS 3 IN CONTACT AREA.
- △ TIN-LEAD PLATE ON POSTS.
- △ TIN-LEAD PLATE ON CONTACT AREA.
- △ ACTION PIN POSTS REQUIRE 2.36 [0.093] MINIMUM THICK PLATED THROUGH WITH 0.02 [0.001] MINIMUM TIN-LEAD PLATING. FINISHED HOLE AFTER PLATING, 0.94 [0.037] DIA.
- △ [PART NUMBER, DATE CODE] MARKED THIS APPROXIMATE AREA.
- △ MARKING ON THIS SIDE.

| OBsolete | 1-50 | X | X | X | 150 |
|----------|------|---|---|---|-----|
| △ | 1-50 | X | X | X | 150 |

| DR | DATE | NAME |
|-----------------|---------|------|
| L. BRINER | 3/18/91 | |
| D. C. RUBENDALL | 3/26/91 | |
| D. C. RUBENDALL | 3/26/91 | |
| K. R. PARTNER | 3/26/91 | |

| DO NOT SCALE PRINT. | UNLESS SPECIFIED DIMENSIONS IN MM (INCHES) |
|---------------------------|--|
| 1 PLG DEC ± 0.131 (0.005) | |
| 2 PLG DEC ± 0.131 (0.005) | |

| FINISH | POSTS |
|--------|-------|
| △ | △ |

RAWING

CUSTOMER